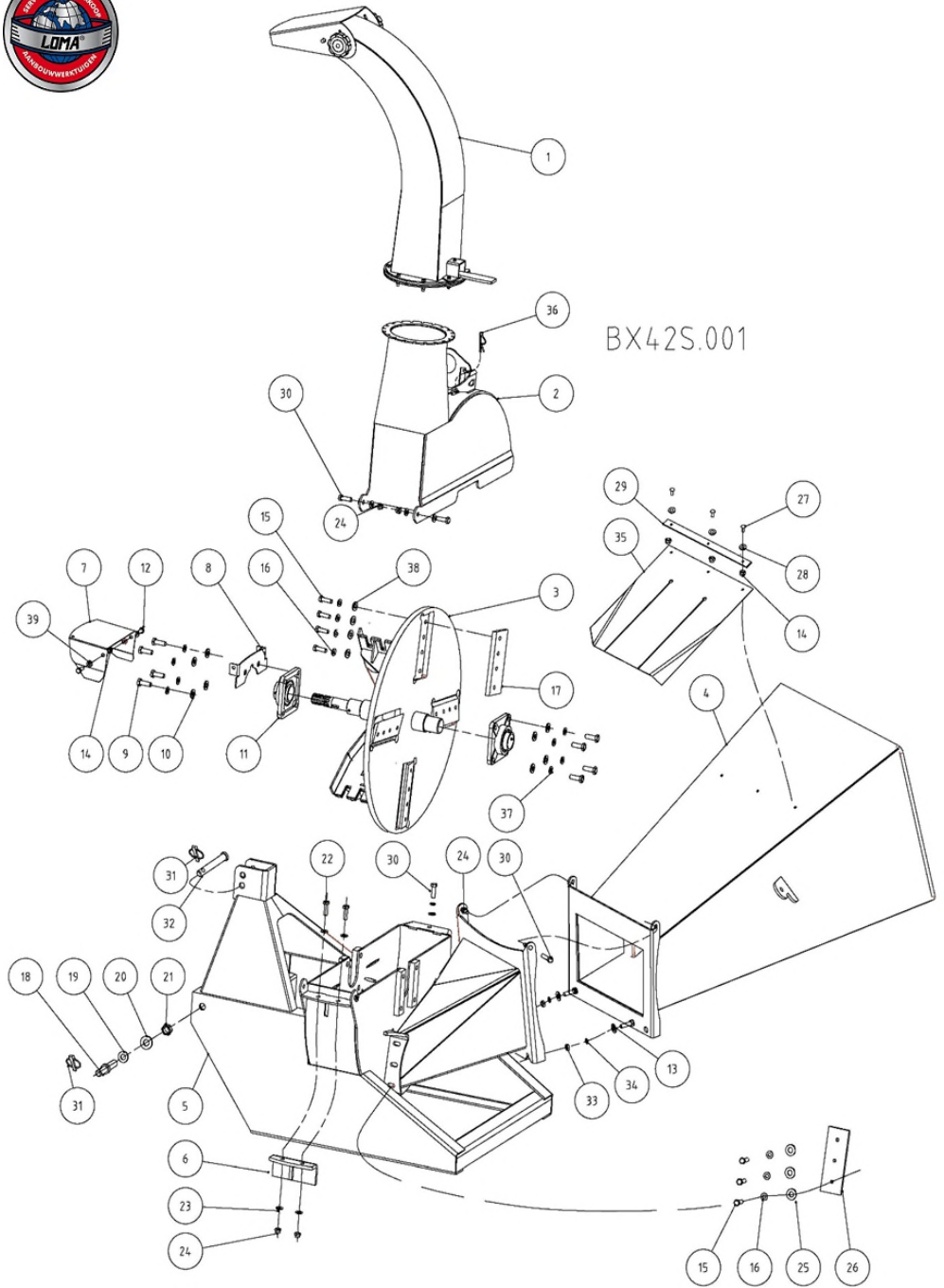


BX42S. 001明细表



BX42S. 001明细表

No.	Art. nr.	Art. Code	Aantal	Gewicht	Totaal Gewicht	Opmerking
1		BX42S.002	1			
2	11000200067	BX42S.013	1	25.58KG	25.58KG	
3	11000200068	BX42S.015	1	37KG	37KG	
4	11000200066	BX42S.011	1	26KG	26KG	
5	11000200072	BX42S.022	1		99.1KG	Gewicht 99.1KG
6	11000200070	BX42S.017	1	0.45KG	0.45KG	
7	11000000015	BX42S.102	1	1.02KG	1.02KG	
8	11000000014	BX42S.101	1	0.42KG	0.42KG	
9	14010300026	GBT5786.2000	8			
10	14040000005	GB/T95-2002	4			
11	11011500059		2			
12	14010100004	GBT5783.2000	2			
13	14040100003	GB/T96.2-2002	2			
14	14050100001	GB/T889.1-2000	5			
15	14010300000	GBT5786.2000	19			
16	14020000006	GBT93.1987	19			
17	11010200009	BX42S.105	4			
18	11000100021	EFH175.105	2	0.26KG	0.26KG	
19	14020000013	GBT93.1987	2			
20	14040000015	GB/T95-2002	2			
21	14050000009	GB/T41-2000	2			
22	14010300007	GBT5786.2000	2			
23	14040000004	GB/T95-2002	14			
24	14050100006	GB/T889.1-2000	4			
25	14040100002	GB/T96.2-2002	3			
26	11010200008	BX42S.104	1			
27	14001400003	GB/T 12-1988	3			
28	14040000001	GB/T95-2002	3			
29	11000000017	BX42S.106	1			
30	14010100069	GBT5783.2000	5			
31	11011700014	Φ11*45	3			
32	11000100331	BX42S.109	1			
33	14050000003	GB/T 41-2000	2			
34	14020000007	GBT93.1987	2			
35	11000000319	BX42S.108	1			
36	11011700015	Φ4	1			
37	14020000009	GBT93.1987	8			
38	14040000002	GB/T95-2002	16			
39	14040100001	GB/T96.2-2002	4			